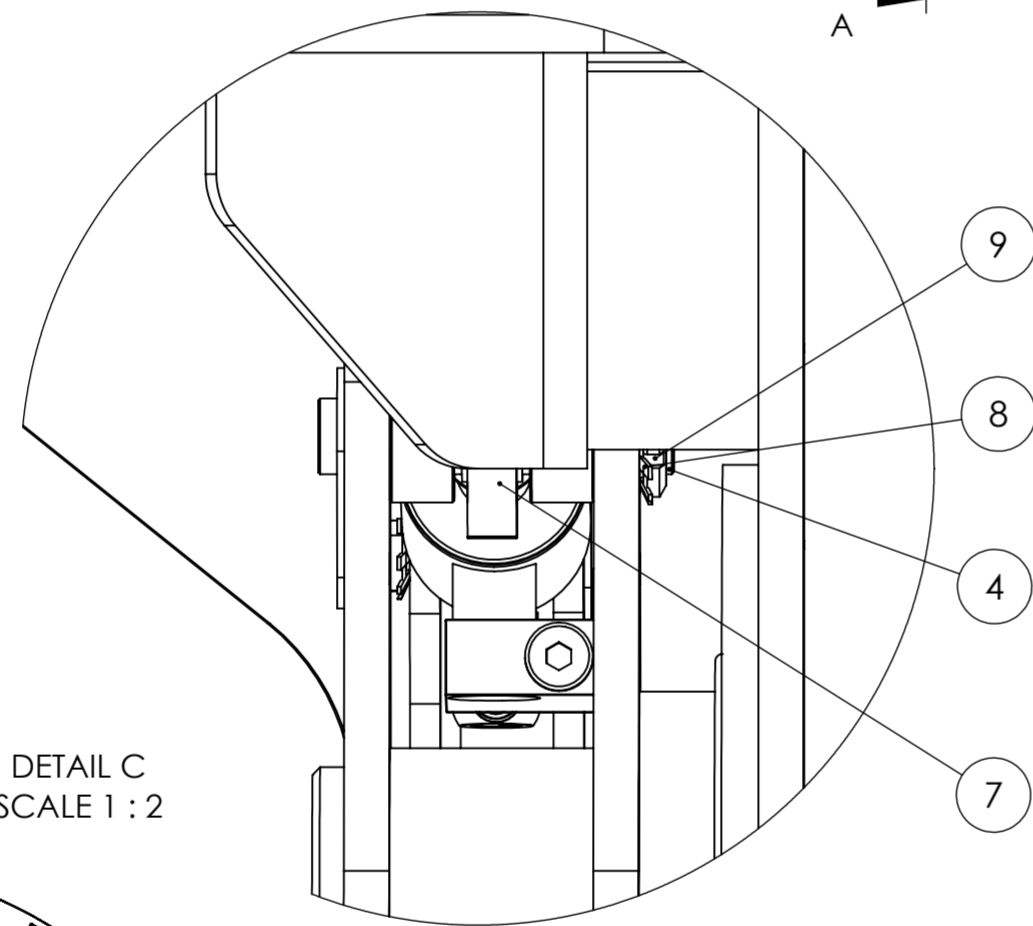
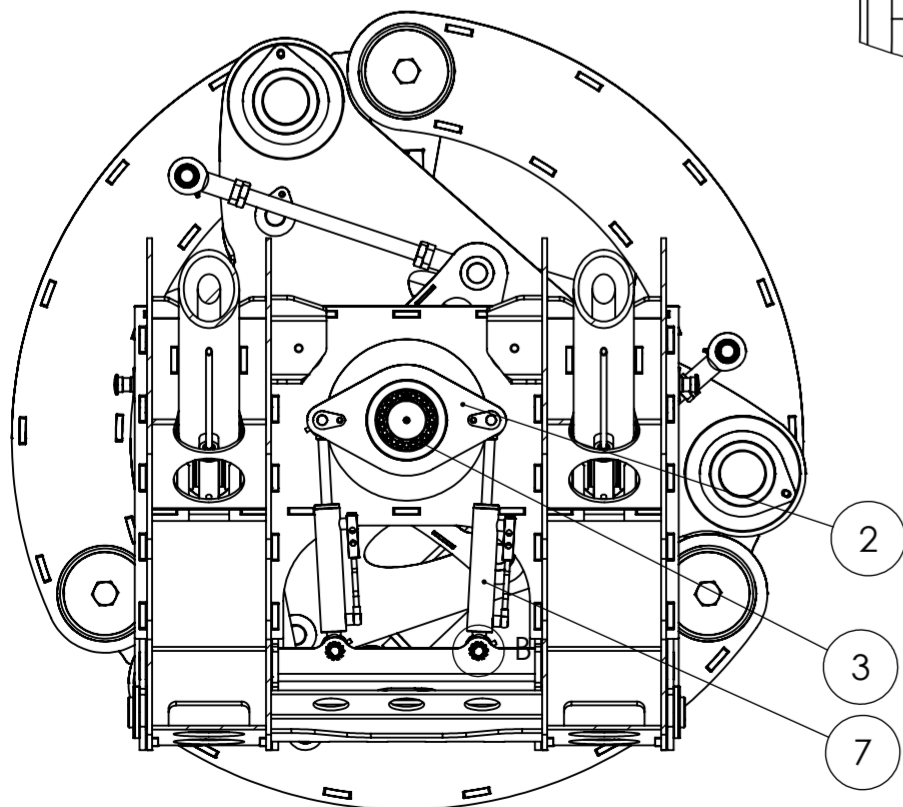
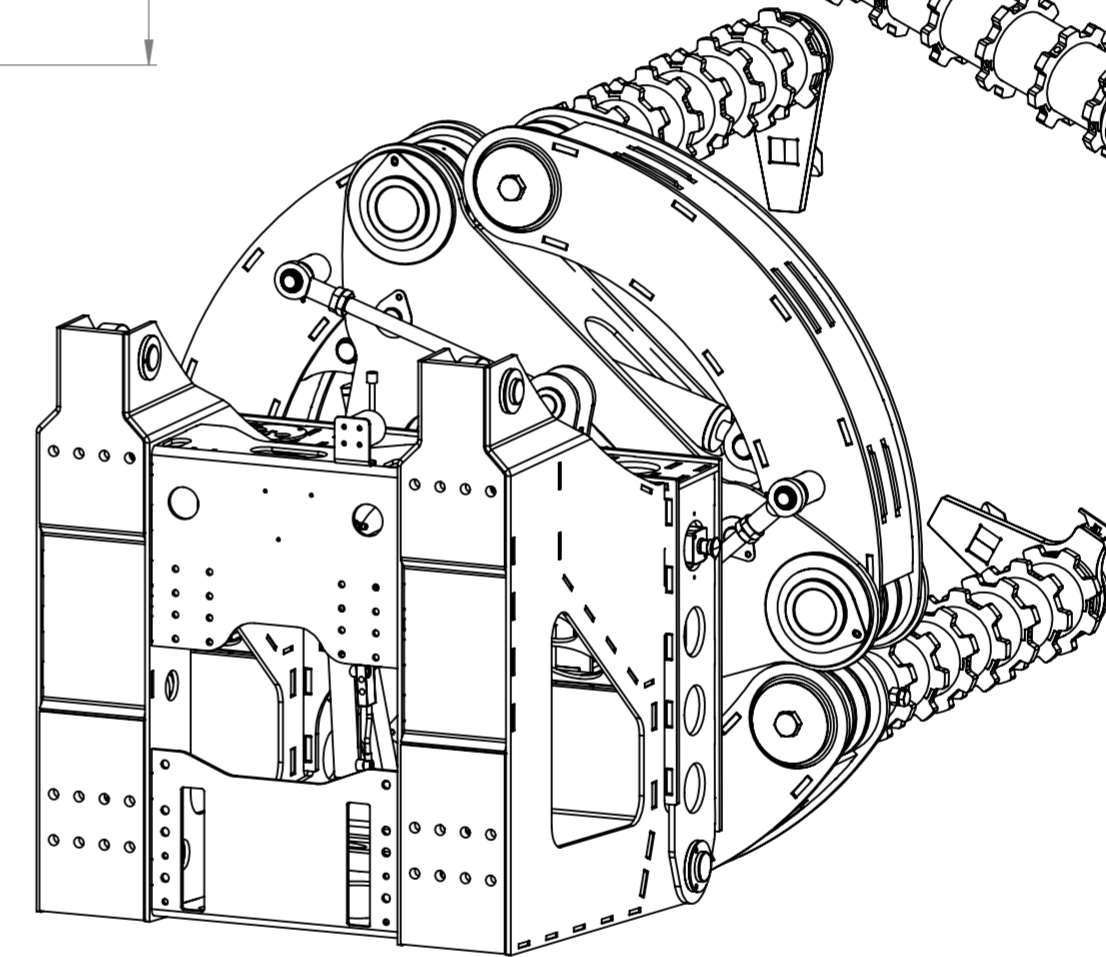


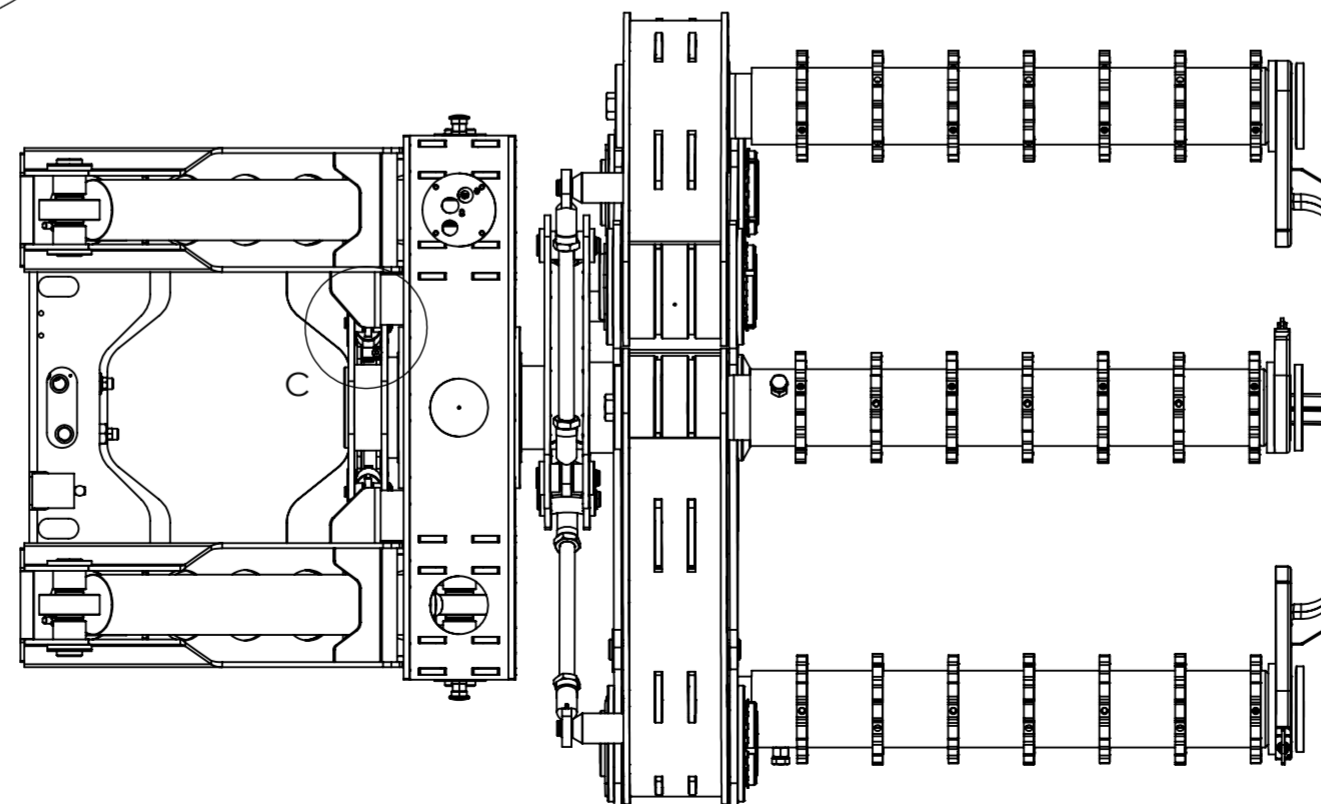
DETAIL B
SCALE 1 : 2



DETAIL C
SCALE 1 : 2



SECTION A-A



ITEM NO.	PART NUMBER	DESCRIPTION	length	width	Thickness	Material	QTY.
1	280001						1
2	280067	Mount for Hydraulic				Assembly	1
3	439500080	Rotafix type F self centering F 80 x 120				Steel	1
4	280069	Welded shaft for rotation cylinder - top				Assembly	2
5	280068	Welded shaft for rotation cylinder - bottom				Assembly	2
6	280003	90gr. tilt with Centerconsol				Assembly	1
7	280034	Hydraulik cylinder HC-C-D- 40/20x145-C-SP				Assembly	2
8	MB4	Locking ring MB4				Steel	4
9	KM4	Nut KM 4				Steel	4
10	94000	Volvo L110F / L120 Adaptor for EG 2800 3,2T				Assembly	1

Width, mm:	Length, mm:	Diameter, Ø:	Thickness, mm:
Creator: Mech Engineering ApS Marsvej 2 DK-7430 Ikast +45 2888 6191 Email: pc@m-eng.dk www.MechEngineering.dk		Date: 19-01-2022 Format/Scale: A2 / 1:15 Material: Weight:(Kg): 2404.38 General tol.: DS/ISO 2768-m	
Description : Easy Gripper EG 2800 3,2T with 90gr. tilt		Project: Project no.: Updated: 10-10-2024	

This drawing is a company manufacturing drawing and the property of Mech Engineering. It is not to be removed from the premises of Mech Engineering or transmitted to a third party, without the signature on the drawing itself by the managing director (Peter Christensen). All drawings are subject to copyright ©. Any illegal possession of the drawing outside the premises of Mech Engineering will immediately be subject to prosecution. If the drawing is found, please return it to Mech Engineering on the following address: Østvedvej 7, DK-8503 Silkeborg, for the attention of the managing director. A reward will be paid.

Drawing no.:
280010

Rev.

Rev.	Date	Designer	Description