

Design and Manufacture code:

Design directive : PED 2014/68/EU
 Design standard : EN 13445

Fluid: : Group 2.

Vessel data:
 Min. design temperature : 0°C
 Max. design temperature : +90°C
 Design pressure (PS) : 5 bar(g)
 Test pressure (PT) : 7,2 bar(g)
 Corrosion allowance. : 0 mm.
 PED Category : IV
 Control class : A
 Module : B+F
 Notified body for approval : Acc PED

Manufacturers plate:
 Production year: : 2030
 Serialnumber : -
 Workingpressure PS : 5 bar
 Design temperature TS : 0°C / +90°C
 Volume V : 9.425 L
 Control data and stamp : xx
 Notified body no : xx

Welders and welding operators : Weld procedures PED-approved acc. 15614-1 and approved acc. to PED Annex I ESR

Welding factor: : 0,85

Extent of test:
 Visual : 100%
 NDT - Requirements According to EN 13345-5, table 6.6.2-1 Testing group 3a
 NDT - Requirements
 Circumferential joint : 10% RT
 Longitudinal joints : 25% RT
 Nozzle or branch and permanent attachments : 10% PT

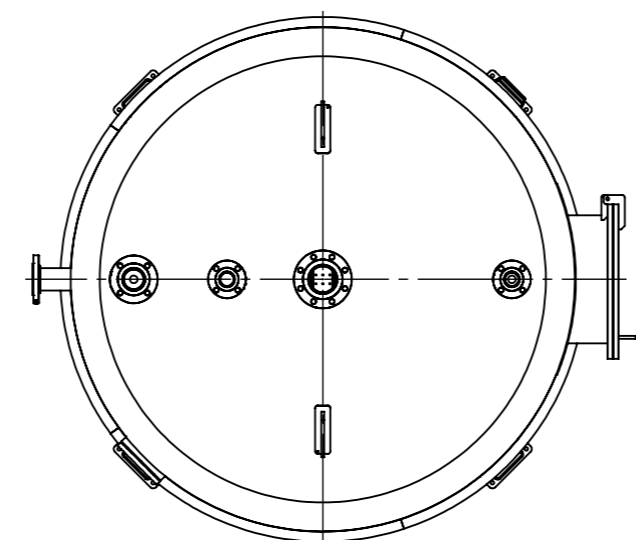
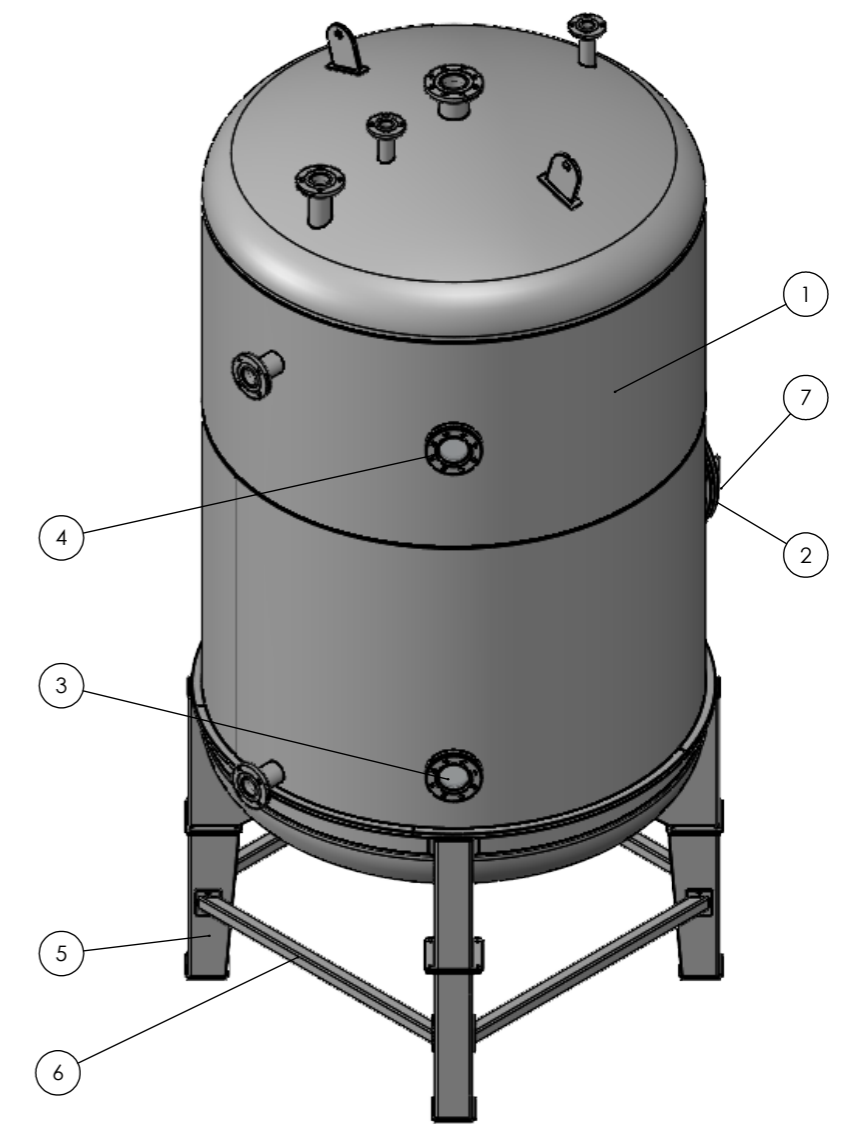
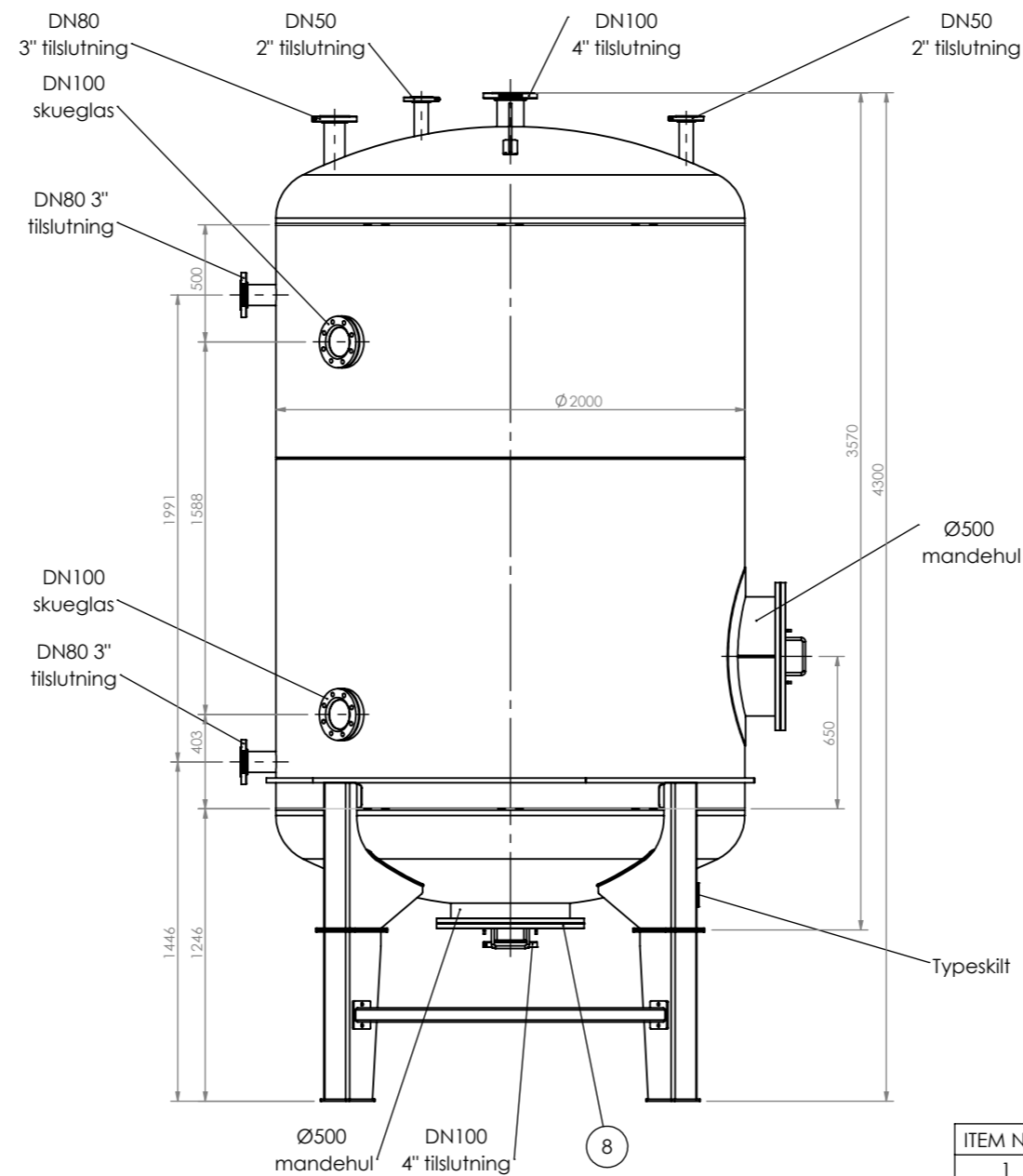
Technical and Acceptance criteria:
 Visual : Technical EN/ISO 17637 Acceptance EN/ISO 5817/10042, B
 Radiography RT : Technical EN/ISO 17636-1, B Acceptance EN/ISO 10675-1, 1
 Ultrasonic UT : Technical EN ISO 17640, B - Acceptance EN/ISO 11666, 2 + no planar imperfections accepted
 Magnetic particle MT : Technical EN/ISO 17638 Acceptance DS EN/ISO 23278, 2x

Heat treatment: : Dished ends are Solution Annealed

Material: : PED-approved acc. EN 10028-7 for plate and EN 10216-5 TC1 for tubes

Material certificate : 3.1

Mech Engineering		Mech Engineering ApS Marsvej 2 DK-7430 Ikast Mail: info@m-eng.dk Tlf. +45 2888 8191	
Serial No.	3000000	V	9.425 L
Class		TS	0/+90°C °C
Type	Pressure Vessel	PS	5 Bar
Production date	29-11-2030		



ITEM NO.	PART NUMBER	DESCRIPTION	QTY.
1	CPK2000_001	Trykbeholder 9.425 ltr ø2000 5bar 0/+90°C	1
2	CPK4206_2231	Flangepakning EPDM gummi ø630/ø500	2
3	208139-21	Skueglas DIN 28120, Lumiglas Ø150	2
4	CPK2000_534	DN 100 skueglas toppart	2
5	CPK208858_008	Ben forhøjer	4
6	CPK208858_010	Afstivning	4
7	CPK2000_015	Dæksel til mandehul	1
8	CPK2000_016	Dæksel til mandehul	1

Width, mm:	Lenght, mm:	Diameter, Ø:	Thickness, mm:
		Creator:	CP
		Date:	20-12-2024
		Format/Scale:	A3 / 1:30
		Material:	
		Weight:(Kg)	1980.80
		General tol.:	DS/ISO 2768-m

Description : Trykbeholder 9.425 ltr ø2.000 5 bar 0/+90°C		Project:
		Project no.:
		Updated: 20-12-2024
Drawing no.: 201224-100	Side 1 of 2	Rev.

This drawing is a company manufacturing drawing and the property of Mech Engineering. It is not to be removed from the premises of Mech Engineering or transmitted to a third party, without the signature on the drawing itself by the managing director (Piotr Christensen). All drawings are subject to orgalmine 52. Any illegal possession of the drawing outside the premises of Mech Engineering will immediately be subject to persecution. If the drawing is found, please return it to Mech Engineering on the following address : Gratedsvej 7, DK-8600 Silkeborg, for the attention of the managing director. A reward will be paid.